

Before start, Please carefully read the explanations!

T-28



Specification:

Wingspan:2800mm/110"

Length:2200mm/86.6"

Flying Weight:~22KG

Wing Area: 129dm²

C.G:~135.5mm back from the landing edge at wing root

INSTRUCTION MANUAL



SADETY PRECAUTIONS

This R/C airplane is not a toy!

(The people under 18 years order is forbidden from flying model)

First -time builders should seek advice from people having building experience.If misused or abused,it can cause serious bodily injury and damage to property

Fly only in open ares and prederably at a dedicated R/C flying site.

We suggest having a qualified instructor carefully inspect your airplane before its first flight. Please carefully read and follow all instructions included with this airplane. your radio control system and any other components purchased separately.

REQUIRED FOR OPERATION (Purchase separately!)

CAUTION: For details concerning the equipment listed below (size, maker, etc.), check with your hobby shop.

1 A minimum 6 channel radio for airplanes (with 8 servos), and dry batteries.

CAUTION: Only use a minimum 6 channel radio for airplanes! (No other radio may be used!)
6 channel radio for airplane is highly recommended for this model.

12 AA-size Batteries



A minimum 6 channel transmitter for airplanes.

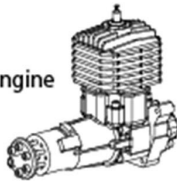


For handling the radio properly, refer to its instruction manual.

2 Engine and Muffler

Model Airplane Engine 60cc-80cc-100cc gas engine

Muffler



3 Propeller Spinner

scale spinner

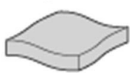


Purchase a propeller that will match your engine.

60x45cm



4 Sponge Sheet



Gasoline tube



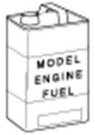
Fuel Filter



5 Required for engine starting:

WARNING: Normal gasoline cannot be used with glow engines.

Gasoline



Fuel Pump



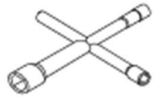
Booster Cord



4 D-size Batteries



Plug Wrench



6 Glue Instant Glue

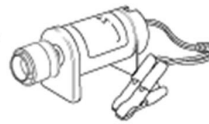


Epoxy Glue

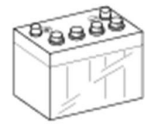


7 Other equipment for enhancing airplane operation & performance

Engine Starter



12V Battery (for starter)



9 Optional electric retract set



TOOLS REQUIRED (Purchase separately!)

Sharp Hobby Knife



Phillips Screw Driver (l, m, s)



Awl



Needle Nose Pliers



Wire Cutters



Scissors



BEFORE YOU BEGIN

- 1** Read through the manual before you begin, so you will have an overall idea of what to do.
- 2** Check all parts. If you find any defective or missing parts, contact your local dealer.
- 3** Symbols used throughout this instruction manual, comprise:
- 4** We strongly recommend you use the thread lock for all the screws when you build your model.

AB Apply epoxy glue.

2mm Drill holes with the specified diameter (2mm).

✂ Cut off excess.

☞ Pay close attention here!

LR Assemble left and right sides the same way.

CA Apply instant glue (CA glue, super glue).

☐ Cut off shade portion.












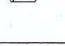















↺ Ensure smooth non-binding movement while assembling.

X Must be purchased separately!



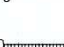


Do not overlook this Symbol!



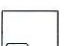



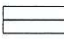



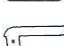


T28 Accessories



	TP Screws(2. 3X8mm)	16
	TP Screws(2. 3X12mm)	10
	Round Screws (2. 6X12mm)	4
	Inner Hexagon Screws (5x35mm)	2
	Inner Hexagon Screws (3x10mm)	10
	Round Screws (2x12mm)	14
	locknut (2mm)	14
	washer (2X5mm)	14
	washer (3x6mm)	10
	Copper joiner	6
	Copper tube (3x6mm)	6
	Carbon fiber tube(3x150mm)	4
	Rod of tank (2x130mm)	1
	Push Rod (3x80mm) Flap	2
	Push Rod (2x70mm) Aileron	2
	Push Rod (2x60mm) Elevator	2
	Push Rod (2x40mm)Fuselage cover	1
	Push Rod(2x60mm)Front gear cover	2
	L Push Rod (2x100mm)	2
	steel wire (0. 45x3000mm)	2
	Fuselage cover fiber horn (2mm)	2
	Front gear fiber hron (2mm)	2
	Elevator fiber hron (2mm)	2
	Aileron fiber hron(2mm)	2
	Flap fiber hron (2mm)	2
	Ball joint (3mm)	4
	Ball joint (2mm)	14

Servo Accessories





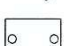






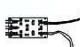
	L-Bracket (25x20x3)	8
	Round Screws (3x10mm)	16
	Round Screws(3x8mm)	16
	locknut (3mm)	16
	washer (3mm)	16

	Pivot & round hinge(5X68mm)	4
	Pin hinge (20X37mm)	4
	Servo Tray	4
	Main gear cover A	1
	Main gear cover B	1
	Main gear cover C	1
	Front gear cover	1
	Wing Tube (30X686mm)	2
	Elevator Tube (20X540mm)	1
	Tank	1
	Wing Hing	8

Cowl Accessories

	Round Screws (3x10mm)	6
	washer (3x6mm)	6

Retract Accessories

	Front Retract	1
	Main Retract	2
	Connect the wheelCover Fiberboard(2mm)	4
	Connect the wheelCover Fiberboard(2mm)	4
	Wheel gear washer (3mm&2mm) Each 2	4
	Round Screws (3x10mm)	8
	Inner Hexagon Screws (2x12mm)	4
	Nut (2mm)	4
	Push Rod (2x43mm)	4
	Main retract screws (3x20mm)	8
	Washer (3x6mm)	8
	Controller	1

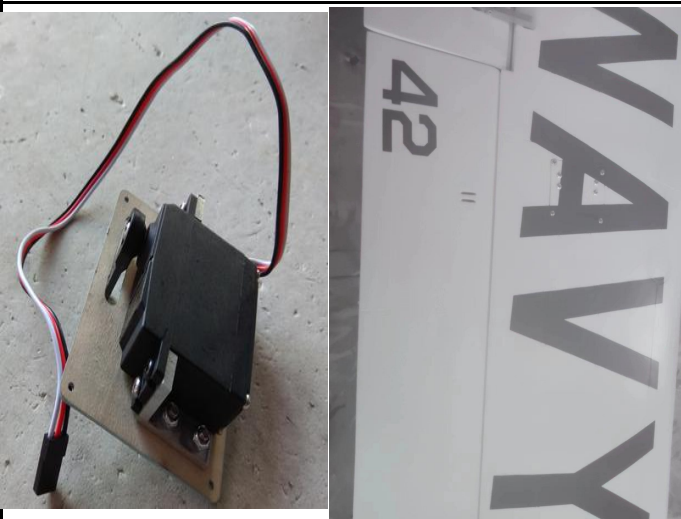
1. Fix the flap fiber horn into the slot of the flap with AB glue and screw



2. Assemble the aileron fiber horn with 2mm screw and ball joint. And then make a slot on the flap, the position is front of the push rod of servo. Insert the aileron fiber horn into this slot and secure with AB glue and screws



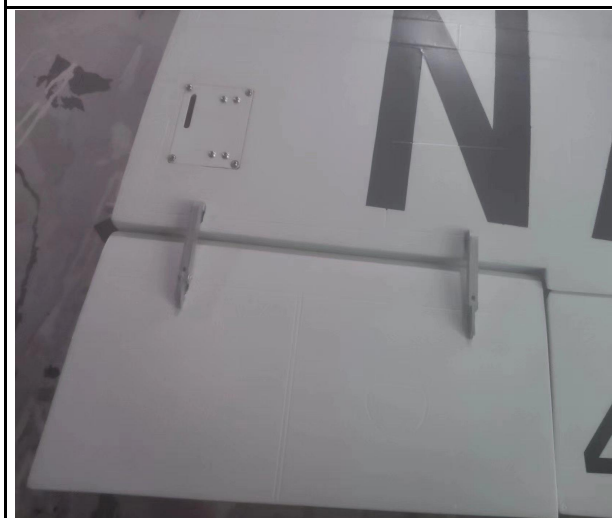
3. Assemble the aileron. Prepare the servos of aileron, trim slots to appropriate position in outer wing and aileron. make the push rod go through the inner slot of the aileron . Connect the servo to the aileron fiber horn with screws.



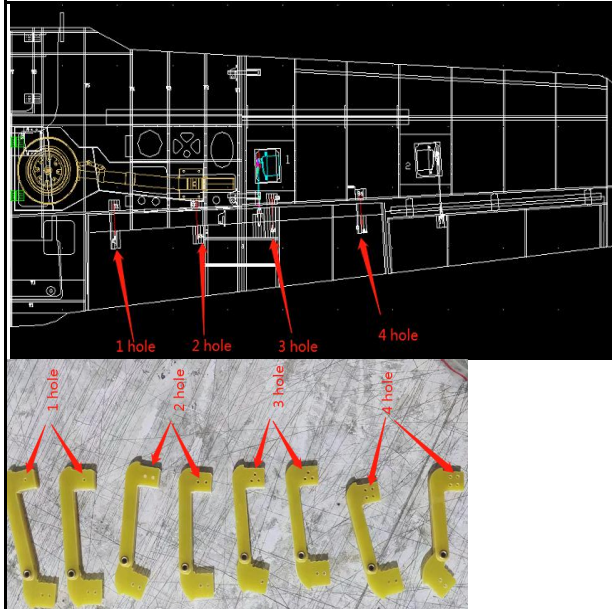
3.1 As shown in the figure



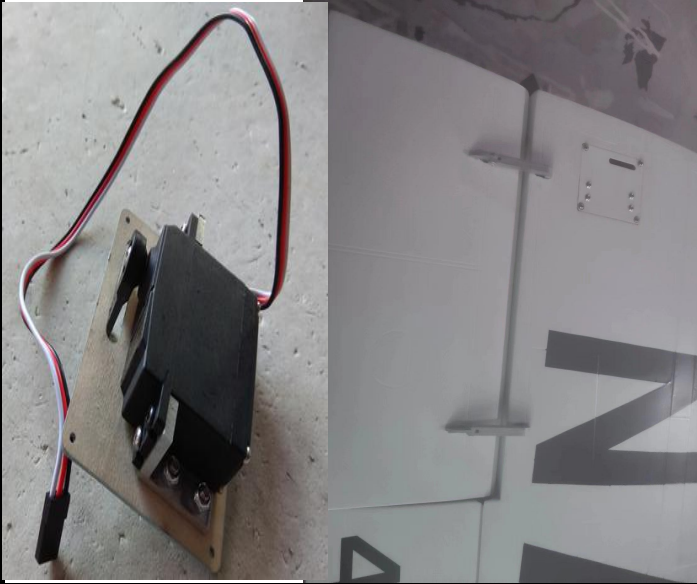
4. Fix the wing hing into the wing and midden wing with AB glue



5.1 To fix the wing hing into the wing and midden wing like the picture



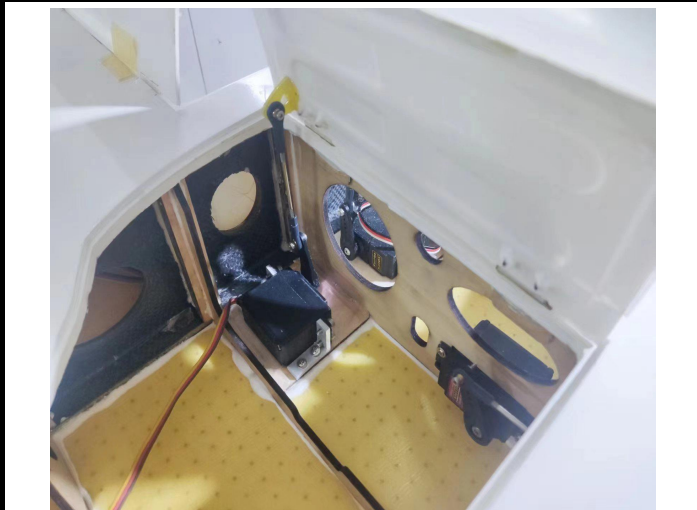
6 Assemble the aileron. Prepare the servos of aileron, trim slots to appropriate position in outer wing and flap. make the push rod go through the inner slot of the flap . Connect the servo to the flap fiber horn with screws.



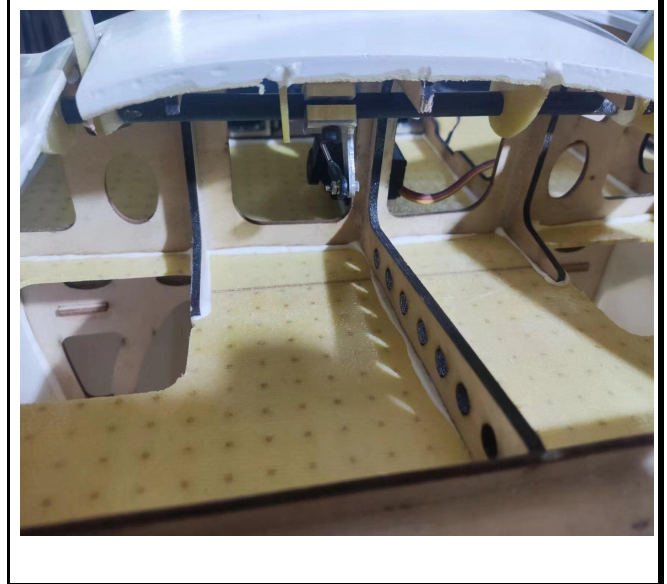
7. Assemble the cover of midden wing , Fix the front gear fiber horn into the front gear cover. make the slot and put the servo in midden wing. Fix the front gear cover in midden wing with pin hinge. Connect the the horn and servo with push rod.



8. Assemble the cover of midden wing , Fix the fuselage cover horn into the main cover A . Fix the servo on midden wing. Fix the front gear cover in midden wing with pin hinge. Connect the the horn and servo with push rod.



9. Assemble the cover of midden wing , Fix the servo on midden wing. Connect the the aluminum parts and servo with push rod.



10 Fix the main gear on the midden wing. Make the slot into the Main gear cover C and Secure the horn. Fix the Main gear cover C in midden wing with pin hinge. connect the horn and main gear with screws



11. Make the slot into the Main gear cover B and Secure the horn. Fix the Main gear cover B on the Alualuminum part of main gear. connect the horn and main gear with screws.



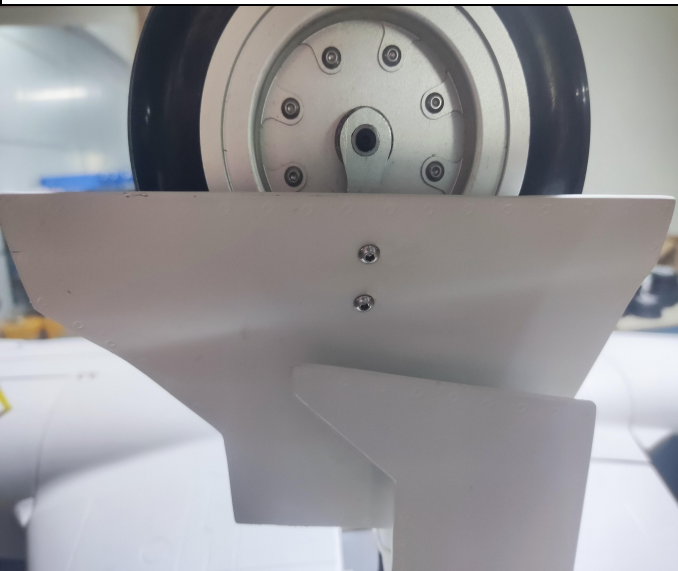
11.1 More picture about Main gear cover C



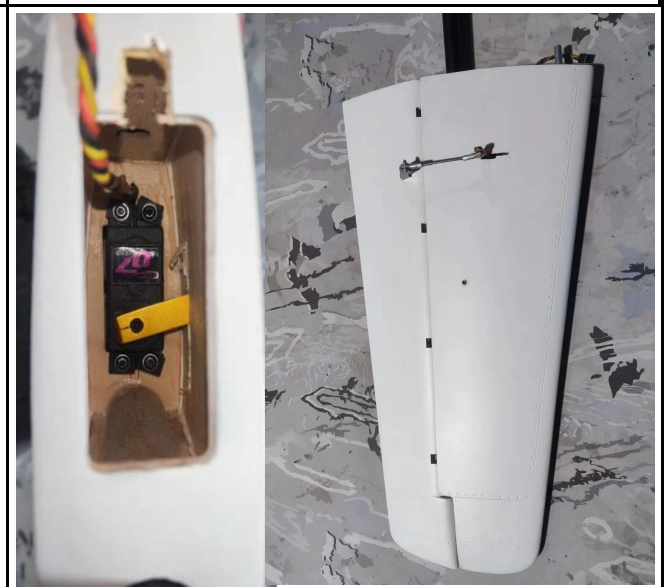
13 Apply AB glue to the slots in the rudder, assemble the rudder to the vertical fin of the plane, connect the rudder and servo by linkage .



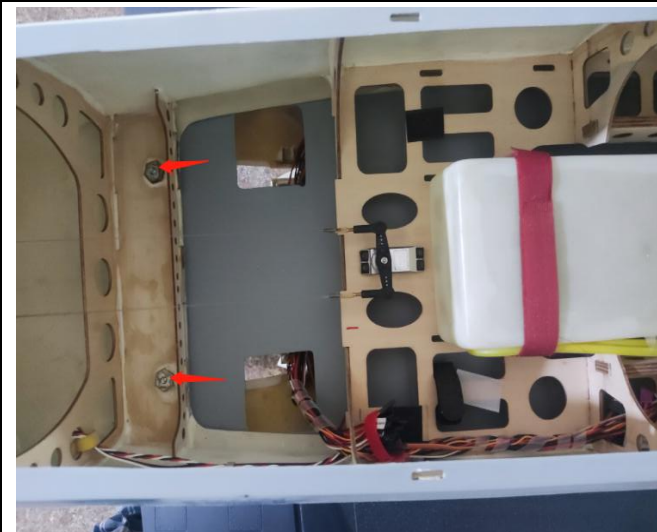
11.2 More picture about the Main gear cover B



14 assemble the servo into the stab. assemble stab to the fuselage through the stab tube, assemble another stabilizer to the fuselage and lock the stabilizer with screw from the stab bottom .



12 Insert the midden wing into the corresponding slot and then fix the midden wing into fuselage with screw. It can lock the wing and midden wing with screw from the midden



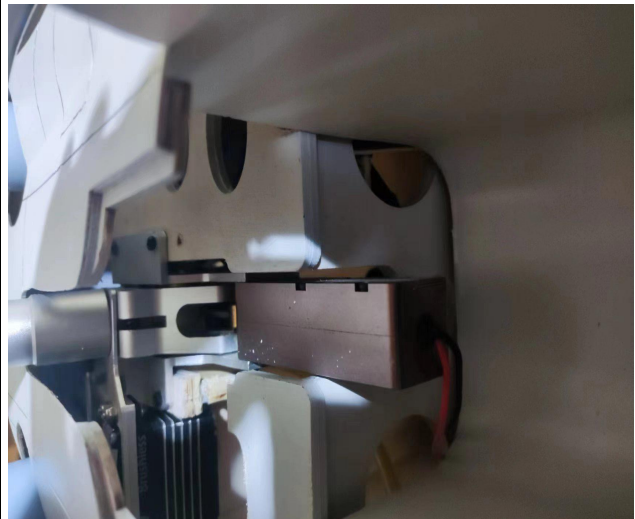
15 Insert the corresponding slot canopy. It already fix on the fuselage.



16 More picture about cowl and engine size



19. More picture about the fixed nose gear



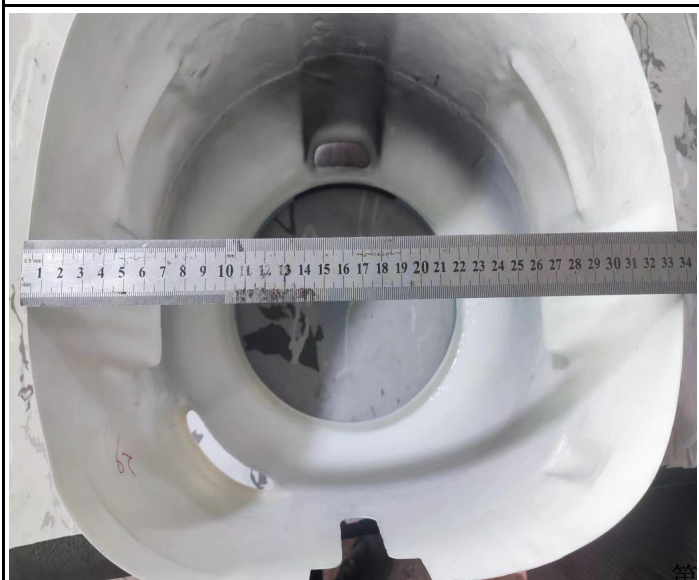
17 It's 22 cm from fire-proof plate to edge of cowl



20. More picture about the fixed main gear



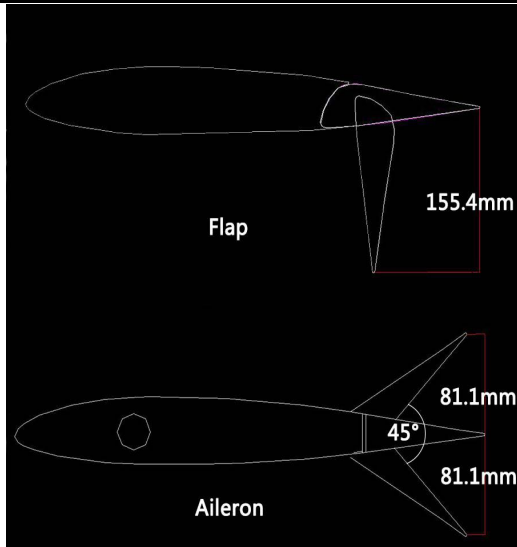
18 The widest sides of the cowling is 33.5 cm



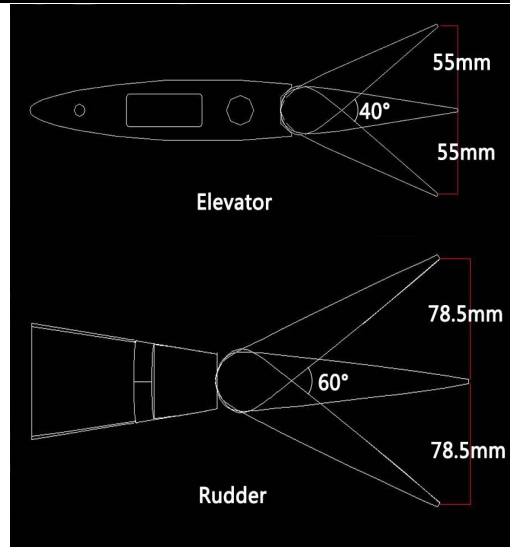
20.1. More picture about the fixed main gear



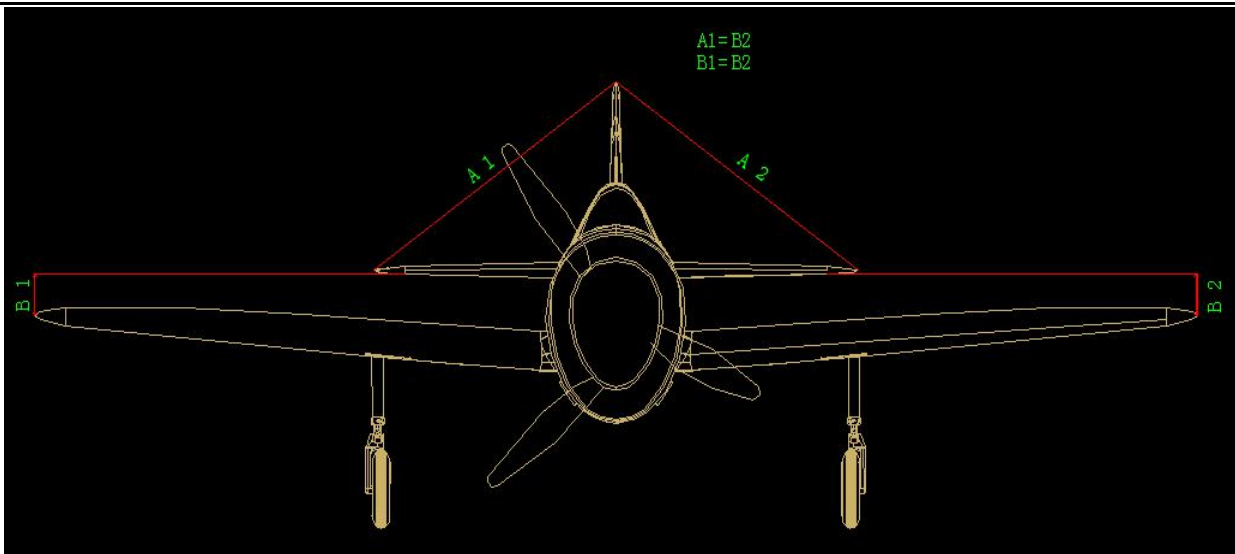
18. Adjust the travel of each control surface to the values in the diagrams. These values fit general flight capabilities. Readjust according to your needs and flight level.



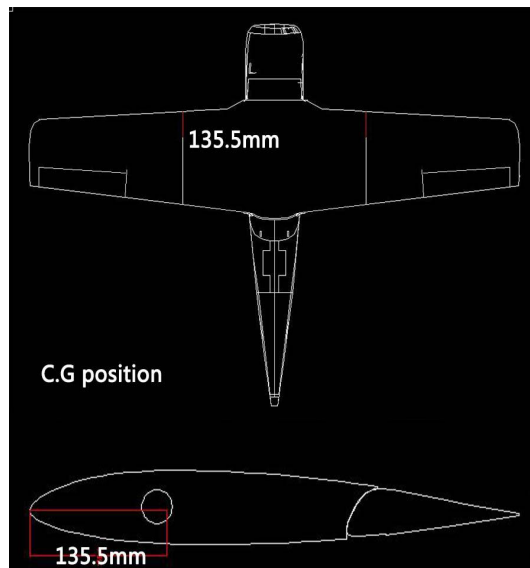
19. Adjust the travel of each control surface to the values in the diagrams. These values fit general flight capabilities. Readjust according to your needs and flight level.



20. Check all the datas well. make sure all sections glue tightly. Otherwise if coming off during flights, you'll lose control of your airplane which leads to accidents!



21. C.G: Never fly before checking the CG's required position. Never fly the model without well balancing.





Instructions :

1. After power on, press the test button for the first time. All hatch LIDS must be open and all landing gear must be open. If any hatch not be opened, the positive and negative of the related servo should be set; If the landing gear does not open, you need to convert the motor plug on the control box. This step is very important, and only by this way can it match the timing set of the program.
2. When setting up the forward and backward direction of the servo, better to plug all retract mode button to the upposition (Mode 1).
3. When setting the blocking current, it is necessary to know that the corresponding indicator light will be off during the operation of the retractable motor. When the retractable and retractable stand is in place, the motor will stop and the corresponding indicator light will turn on at this time. If the motor stops running, the indicator light is still off, indicating that the set blocking current is too large. At this time should reduce the blocking current, to ensure that the motor after blocking, the corresponding indicator light is on. Otherwise, the electricity will be easily damaged .
4. Working voltage: 6-8.4V (12V power supply for large landing gear, please contact the owner)
5. The blocking current is adjustable. It is suitable for all electric retraction racks under 35KG on the market.
6. The power supply voltage of the steering gear on the hatch cover can be set
7. The forward and backward direction and stroke of the door servo can be set separately
8. Each gear door servo can be set with 2 modes of retracting separately (1. After the landing gear opened, the gear door will not be retracted; 2. Landing gear open, gear door retracted)